

PRODUCT INFORMATION PACKET

Model No: 284TTFCA6033

Catalog No: GT3228

25 HP Close-Coupled Pump Motor, 3 phase, 1800 RPM, 575 V, 284JM Frame, TEFC
JM Motors



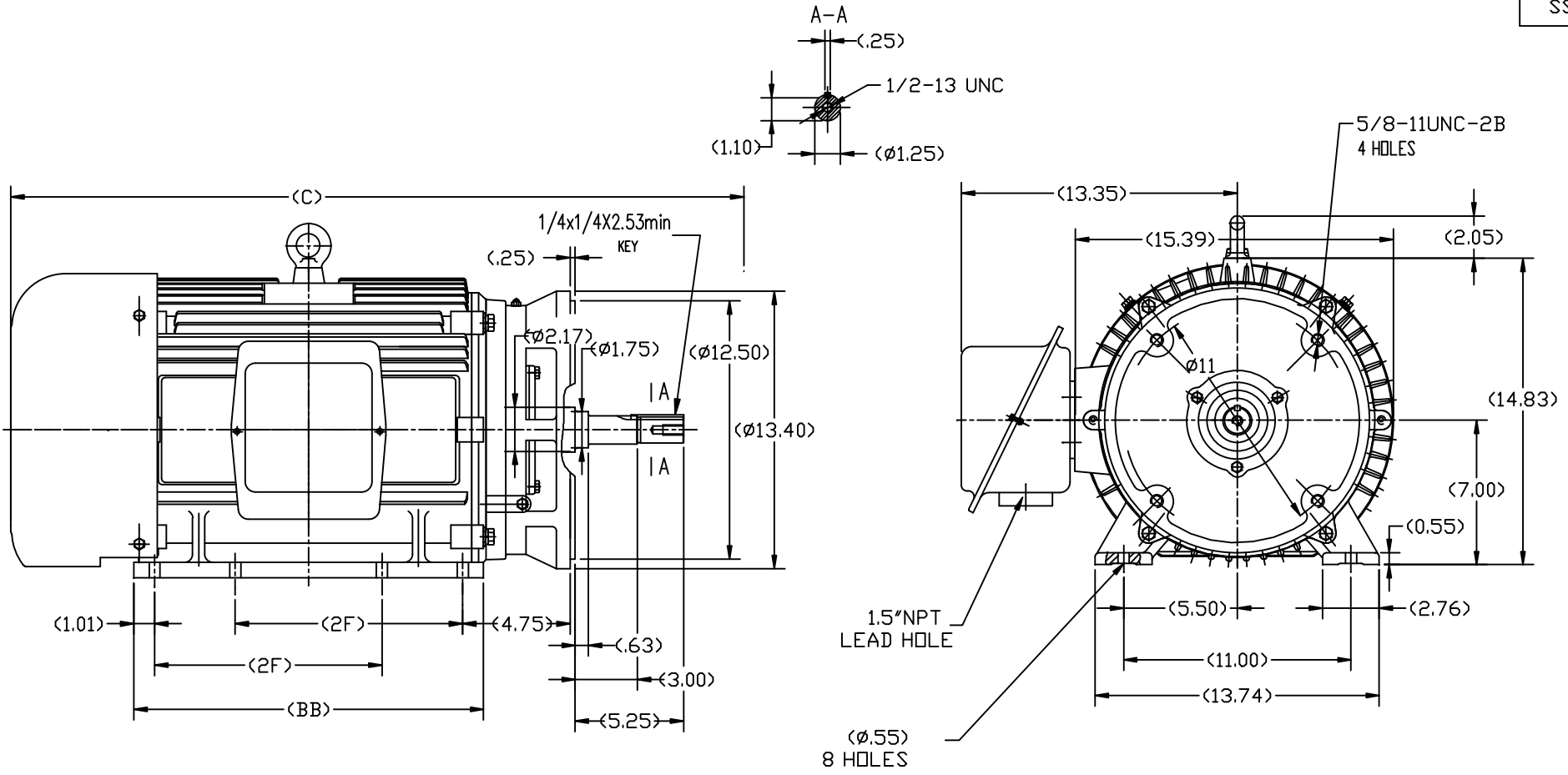
Nameplate Specifications

| | | | |
|------------------------|-------------------|----------------------------|------------------------------------|
| Output HP | 25 Hp | Output KW | 18.7 kW |
| Frequency | 60 Hz | Voltage | 575 V |
| Current | 24.5 A | Speed | 1780 rpm |
| Service Factor | 1.15 | Phase | 3 |
| Efficiency | 93.6 % | Power Factor | 81 |
| Duty | Continuous | Insulation Class | F |
| Design Code | B | KVA Code | G |
| Frame | 284JM | Enclosure | Totally Enclosed Fan Cooled |
| Thermal Protection | No | Ambient Temperature | 40 °C |
| Drive End Bearing Size | 6311 | Opp Drive End Bearing Size | 6210 |
| UL | Recognized | CSA | Y |
| CE | Y | IP Code | 43 |

Technical Specifications

| | | | |
|-----------------------|-------------------------------------|--------------------|-------------------------|
| Electrical Type | Squirrel Cage Inverter Rated | Starting Method | Line Or Inverter |
| Poles | 4 | Rotation | Reversible |
| Resistance Main | .255 Ohms | Mounting | Rigid Base |
| Motor Orientation | Horizontal | Drive End Bearing | Ball |
| Opp Drive End Bearing | Ball | Frame Material | Cast Iron |
| Shaft Type | JM | Overall Length | 30.92 in |
| Shaft Diameter | 1.250 in | Shaft Extension | 5.25 in |
| Assembly/Box Mounting | F1/F2 CAPABLE | | |
| Outline Drawing | SS620565-284TC | Connection Drawing | EE7300 |

This is an uncontrolled document once printed or downloaded and is subject to change without notice. Date Created:03/11/2020



| | | | |
|-------|-------|-------|-------|
| 284TC | 30.92 | 15.75 | 9.50 |
| 286TC | 32.1 | 16.93 | 11.00 |
| FRAME | C | BB | 2F |

| TOLERANCES UNLESS SPECIFIED | | REGAL-BELOIT CORPORATION | | DRAWN Lee 05-16-2012 | |
|--|-------------|-----------------------------|------|----------------------|-------------|
| DEC. | INCHES | CHK | HPH | 05-16-2012 | |
| .X | $\pm .1$ | APPD | JGX | 05-16-2012 | |
| .XX | $\pm .03$ | TITLE | | SCALE | 2=13 |
| .XXX | $\pm .005$ | TEFC-284/286JM FR-CAST IRON | | REF | |
| .XXXX | $\pm .0005$ | MAT'L. | | FMF | HWADA |
| NO. | REVISION | BY & DATE | CHK | ANG | $\pm 1/2$ |
| THIS DRAWING IN DESIGN AND DETAIL IS OUR PROPERTY AND MUST NOT BE USED EXCEPT IN CONNECTION WITH OUR WORK ALL RIGHTS OF DESIGN AND INVENTION ARE RESERVED THIS IS AN ELECTRONICALLY GENERATED DOCUMENT - DO NOT SCALE THIS PRINT | | | RFP | CAD FILE | SS620565 |
| | | | DIST | SIZE | DRAWING NO. |
| | | | | B | SS620565 |
| | | | | | REV. |

**THREE PHASE - SINGLE VOLTAGE
MOTOR - CONDUIT BOX @ 'A'**

**TO REVERSE ROTATION:
INTERCHANGE ANY TWO
LINE LEAD CONNECTIONS.**

TERMINAL BLOCK WHEN SPECIFIED



VIEW OF TERMINAL END

**IF MOTOR HAS
6 LEADS**



A-9806 DECAL

**OPTIONAL CORD
CONNECTION**



| | | |
|---|---------------------------|---------------------------|
| DRAWING REVISION AB | REVISION BY JJB | DATE 06-27-2017 |
| ECO ECO-0125361 | APPROVED BY TB | DATE 06-27-2017 |
| ECO DESCRIPTION UPDATED TO CURRENT STANDARDS | | |
| <small>COPYRIGHT REGAL BELOIT AMERICA, INC. ALL RIGHTS RESERVED. PROPRIETARY AND CONFIDENTIAL INFORMATION - THIS DOCUMENT IS THE PROPERTY OF REGAL BELOIT AMERICA, INC. ("OWNER") AND CONTAINS OWNER'S PROPRIETARY INFORMATION. ANY PERSON, CORPORATION OR OTHER FIRM RECEIVING IT IS DEEMED, BY RECEIVING IT, TO AGREE THAT IT, AND/OR ANY PART OF IT, SHALL NOT BE DISCLOSED TO ANY PERSON, CORPORATION OR OTHER ENTITY, DUPLICATED, AND/OR USED, EXCEPT AS EXPRESSLY APPROVED IN WRITING IN ADVANCE BY OWNER. THIS DOCUMENT SHALL BE RETURNED TO OWNER UPON REQUEST. IT MAY BE SUBJECT TO CERTAIN RESTRICTIONS UNDER APPLICABLE EXPORT CONTROL LAWS AND REGULATIONS.</small> | | |



| |
|---------------------------|
| DRAWN BY DA |
| DATE 03-26-1993 |
| APPROVED BY TB |
| DATE 03-26-1993 |
| REFERENCE |
| THIRD ANGLE PROJECTION |

| | | |
|-----------------------------------|---------------------------------|--|
| Regal Beloit America, Inc. | | |
| | | DESCRIPTION CONNECTION DIAGRAM EXTERNAL - SINGLE VOLTAGE - 3Ø MOTOR |
| MATERIAL | PROCESS/FINISH | |
| SIZE A | DRAWING NUMBER EE7300 | SHEET 1 OF 1 |

Data Sheet

284TTFCA6033



Submittal
Data @ 575 V

Date: 6/19/2017

Customer: _____
Attention: _____
Submitted by: FAREEDA DUDEKULA

Motor Load Data

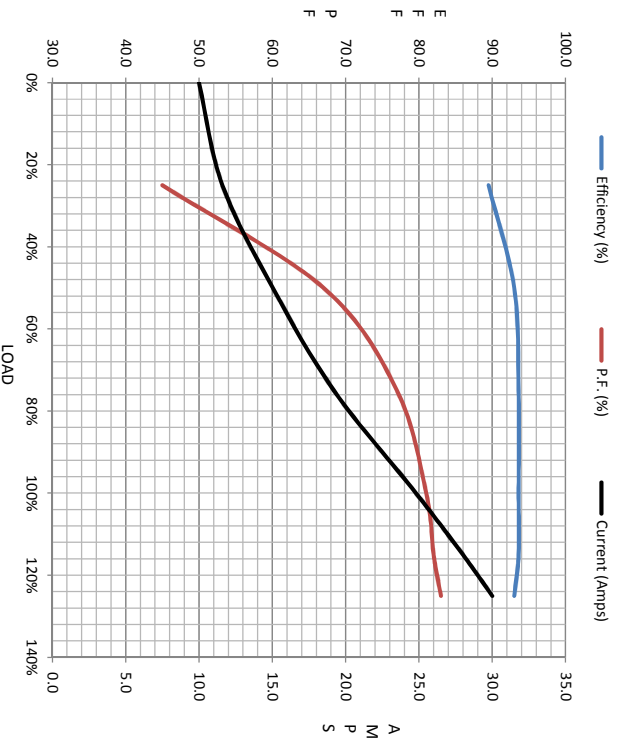
| Load | 0% | 25% | 50% | 75% | 100% | 115% | 125% | LR |
|----------------|------|------|------|------|------|-------|------|------|
| Current (Amps) | 10.0 | 11.6 | 15.0 | 19.2 | 24.8 | 28.0 | 30.0 | 140 |
| Torque (ft-lb) | 0.00 | 18.3 | 36.8 | 55.2 | 73.8 | 85.0 | 92.5 | 133 |
| RPM | 1800 | 1795 | 1790 | 1785 | 1775 | 1,772 | 1770 | 0 |
| Efficiency (%) | | 89.5 | 93.0 | 93.6 | 93.6 | 93.6 | 93.0 | |
| P.F. (%) | 4.5 | 45.0 | 67.0 | 77.0 | 81.0 | 82.0 | 83.0 | 38.0 |

Motor Speed Data

| | LR | Pull-Up | BD | Rated | Idle |
|----------------|-----|---------|------|-------|------|
| Speed (rpm) | 0 | 900 | 1650 | 1775 | 1800 |
| Current (Amps) | 140 | 132 | 96.0 | 24.8 | 10.0 |
| Torque (ft-lb) | 133 | 120 | 193 | 73.8 | 0.00 |

Information Block

| | |
|----------------------------|------------------|
| HP | 25.0 |
| Sync. RPM | 1800 |
| Frame | 284 |
| Enclosure | TEFC |
| Construction | TFC |
| Voltage | 575 V |
| Frequency | 60 Hz |
| Design | B |
| LR Code letter | G |
| Service Factor | 1.15 |
| Temp Rise @ FL | 50 °C |
| Duty | CONT |
| Ambient | 40 °C |
| Elevation | 1,000 feet |
| Rotor/Shaft wkt | 5:2 Ld-Fe |
| Rel Wdg | CHT28440001 NONE |
| Sound Pressure @ 1M | 75 dBA |
| VFD Rating | VARIABLE 10:1 |
| Outline Dwg | SS620565 |
| Conn. Diag | EE7300 |
| Additional Specifications: | |
| 0 | |
| EQUIV CKT (OHMS / PHASE) | |
| R1 | R2 |
| 0.2740 | 0.1700 |
| X1 | X2 |
| 0.9980 | 1.8360 |
| Xm | Xm |
| | 33.4590 |



Speed - Torque Curve

